

Model 45 HEPA Vacuum Cleaner - Dry

The Model 45 HEPA dry vac from Pullman-Holt is used for lead, asbestos, and hazardous mold abatement. The Model 45 HEPA vac is powered by a powerful motor delivering 106cfm. For ease of operation and handling, the model 45 features a positive locking, full swivel hose connection system. Pullman-Holt's *never-clog* dacron bag provides superior pre-filtration. The large capacity HEPA filter system features a high-efficiency, drop-in HEPA filter, individually certified to a minimum efficiency of 99.97% at .3 microns (based on 1EST-RP-CC007 particle count test method).



HEPA Filter Vacuum for Lead, Asbestos, and Mold Abatement

- **1.5HP by-pass motor, 9.6 AMPS,**
- **87 waterlift, 106 CFM**
- **Blow molded poly canister with low center of gravity design prevents tipping**
- **Complete tool kit; 10 hose, floor brush,**
- **Metal wand, floor squeegee and round brush**
- **25 foot power cord**

Tool kit included: 45 wet/dry (B160424)

- **10 x 1.5 crushproof hose (B702361)**
- **5 two-piece metal wand (B702364)**
- **10 crevice tool (B702362)**
- **16 floor tool (B702367)**
- **Round dusting brush (B702363)**

Contact:

Direct Scientific www.drct.com

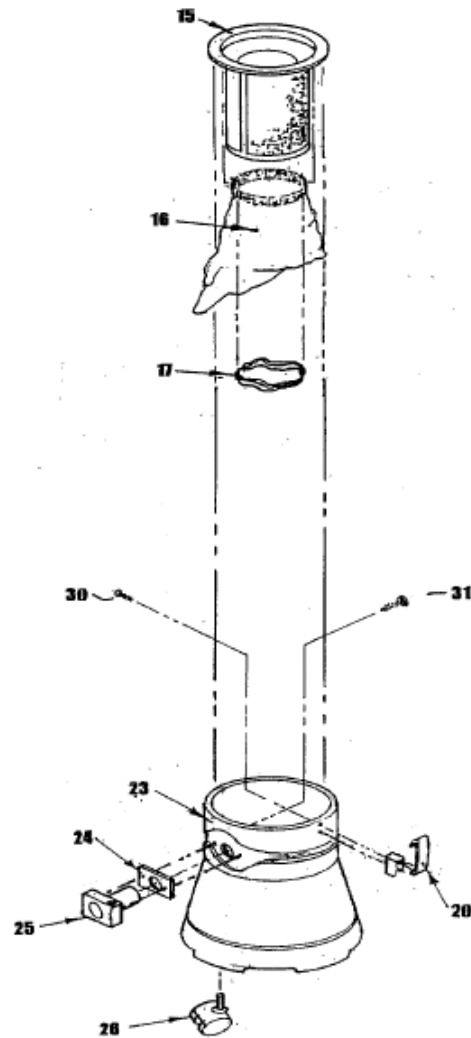
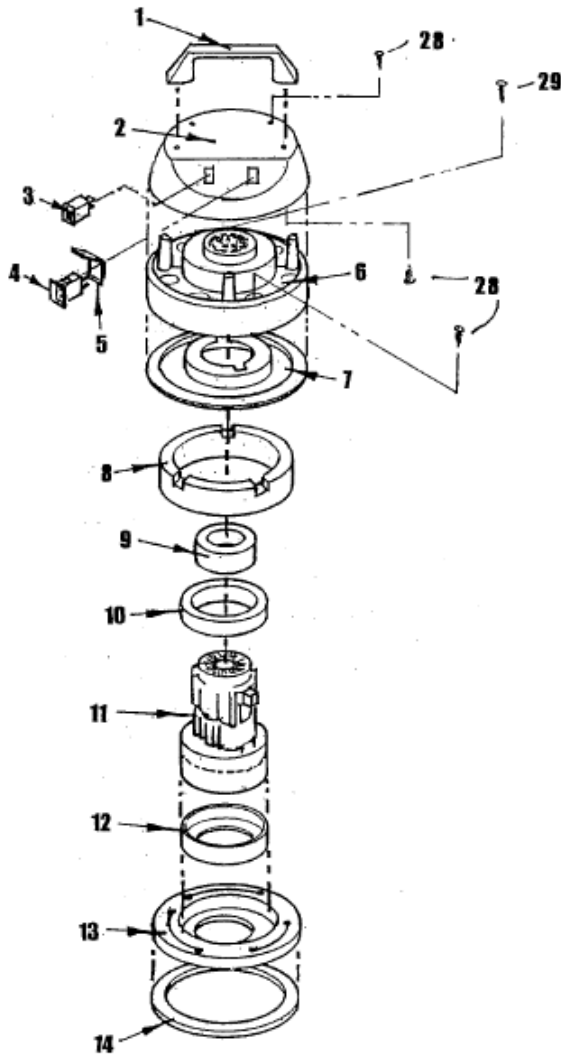
tel 888 368-9118

fax 888 440-1319

email: sales@drct.com

REPLACEMENT PARTS LIST

Ref. No.	Part No.	Description	Qty.	Ref. No.	Part No.	Description	Qty.
1	B701878	Handle Vac Head	1	13	B701900	Can Cap	1
2	B701879	Dome - Red	1	14	B701901	Gasket for Can Cap	1
3	B701881	On - Off Electrical Switch	1	15	B702340	HEPA Filter	1
4	B701880	Power Head Plug Assembly	1	16	B000517	Never Clog Filter Bag	1
5		Plug Shield (Part of Plug Assembly)	1	17	B702343	Bag Retainer - Rubber	1
6	B701884	Motor Head Chamber - Red	1	20	B701891	Clamp - Spacer and Canister	2
7	B701896	Motor Retainer - Top	1	23	B701905	10 Gal. Canister	1
8	B701883	Foam Baffle - Silencing	1	24	B701888	Inlet Gasket	1
9	B701897	Gasket - Motor Top	1	25	B701889	Inlet Assembly	1
10	B701898	Gasket - Motor Plenum Top	1	26	B701906	Dual Wheel Caster	4
11	B000479	Motor - 115 Volt	1	27	B701894	Cord Set (Not Shown)	1
12	B701898	Gasket - Motor Plenum Bottom	1	28	B701877	Screw, 4.8 x 19, type Black	14
				29	B701892	Screw, 2.9 x 19, type A, zn	3
				30	B702390	Screw, 4.8 x 19, type A, ss	4
				31	B702391	Screw, 4.8 x 25, type A, ss	2



Contact:

Direct Scientific www.drct.com

tel 888 368-9118

fax 888 440-1319

email: sales@drct.com

TROUBLE SHOOTING GUIDE

PROBLEM POSSIBLE CAUSE

CORRECTIVE ACTION

Loss of Suction

1. Obstruction in hose or wand.
2. Clogged filter assembly.
3. Uneven gasket fit.
4. Collection can rim is chipped or cracked.

1. Clean hose or wand.
2. Clean or replace filter.
3. Reposition or replace gasket.
4. Replace plastic tank.

Motor Won't Run

1. Blown building fuse or tripped circuit breaker.
2. Defective switch.
3. Defective power cord.
4. Worn motor brushes.

1. Replace fuse or circuit breaker.
2. Replace switch.
3. Replace power cord.
4. Replace brushes.

Operator Being Shocked

1. Defective ground in vacuum or building.

1. Consult a qualified electrician to check and repair ground circuit.

LIMITED WARRANTY

The warranty covers only failure due to defective parts or workmanship and will be invalidated by improper application and abuse. Items excluded from warranty coverage, unless found and reported defective immediately upon removal from the original shipping container and before being used by the original purchaser, include: power cords, floor brushes, floor pads, vacuum and solution hoses, belts, screens, strainers, squeegee blades, motor carbon brushes, and filters.

The vacuum cleaner is warrantied from the date of purchase as shown on your distributor's invoice as listed below.

Parts - 1 years

Labor - 1 year

Warning

Always disconnect power cable from electrical outlet before working on this vacuum cleaner.

Contact:

Direct Scientific www.drct.com

tel 888 368-9118

fax 888 440-1319

email: sales@drct.com